

Forever Bright

SPECIFICATION FEATURES



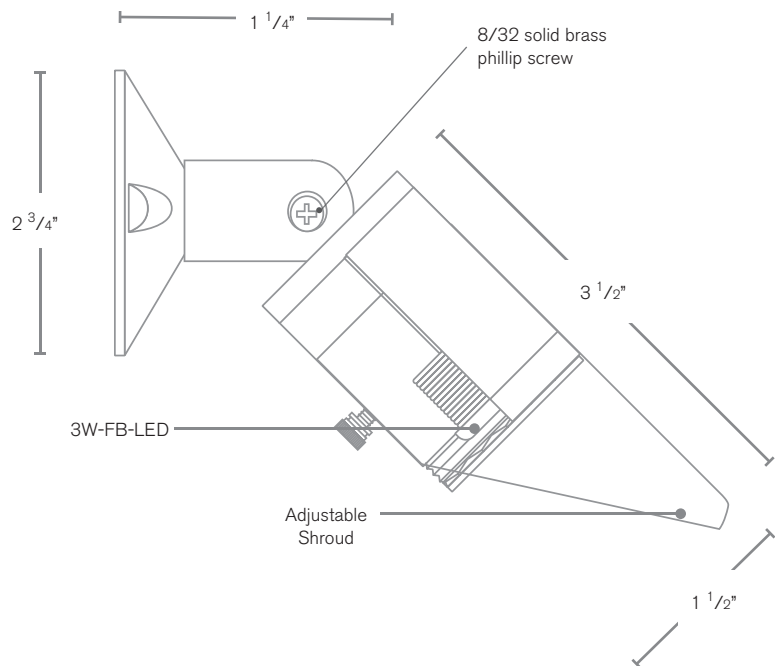
Model: **SPJ-MU1**

- Finish:** Our naturally etched finishes will withstand the test of time. All finishes are individually treated insuring consistency. Our meticulous application results in a fixture that truly becomes "a one of a kind".
- Electrical:** Available in 9v-18v, 120v & 277v
- Labels:** ETL Standard Wet Label
C-ETL

Surface Mount

DESCRIPTION

- Model#:** SPJ-MU1
- Material:** Solid Brass
- Finish:** Specify
- Electrical:** 9-18V
- Lamp:** 3W-FB-LED Cree XRE
- Color Temp:** 2750 k
- Optic:** 45 Degree



ORDERING INFORMATION

Model#	Finishes	Optic	Color Temp.	Electrical
SPJ-MU1	R	45°	2750K	9-18V
SPJ-MU1	V = Verde M = Moss AG = Aged Brass MBR = Matte Bronze SB = Satin Brass GM = Gun Metal B = Black R = Rusty PVDP = PVD Polished PVDS = PVD Satin NC = Natural Copper RC = Raw Copper	10° 25° 45° 80° BP2 BP4	2750K 3900K 6000K	9-18V 120V 277V